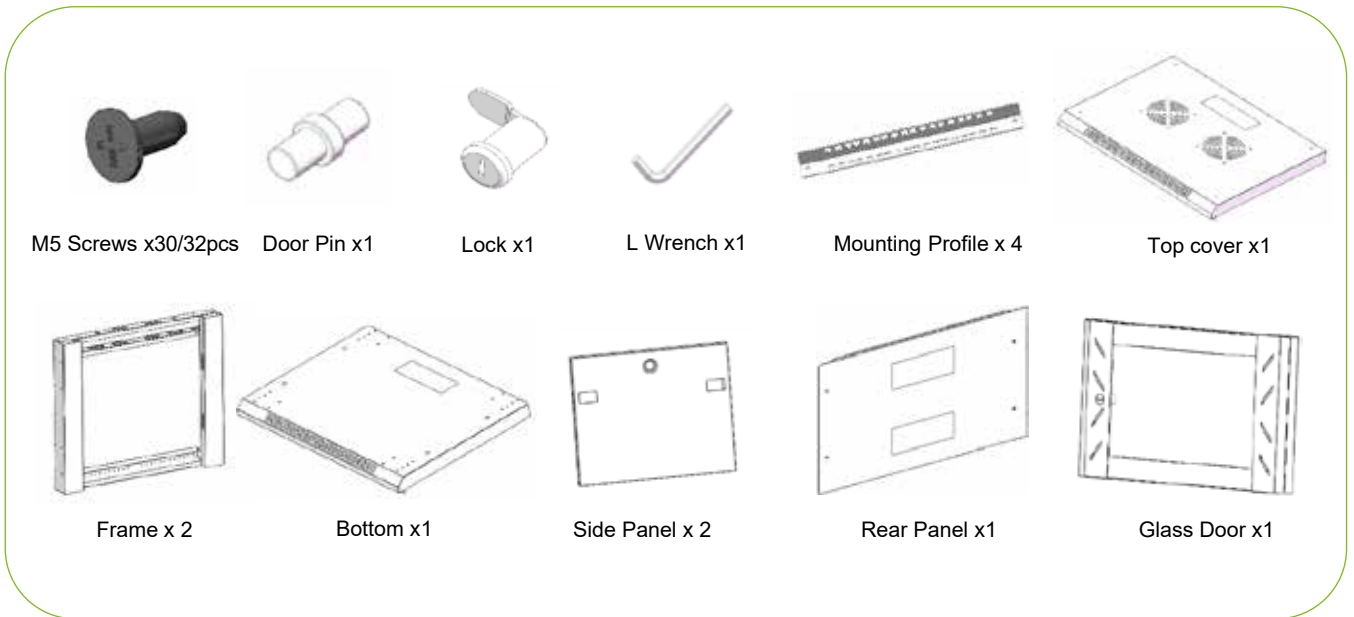
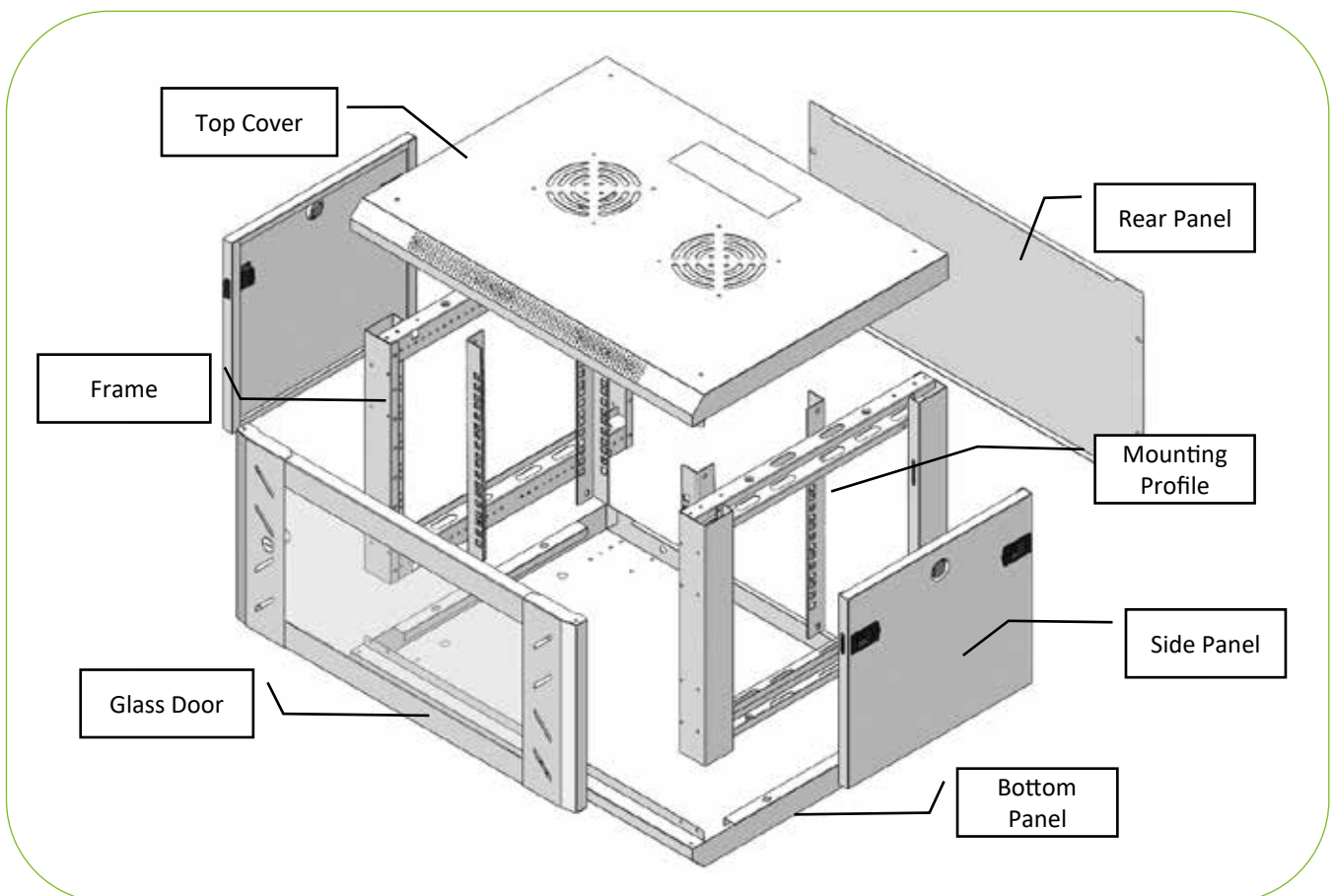


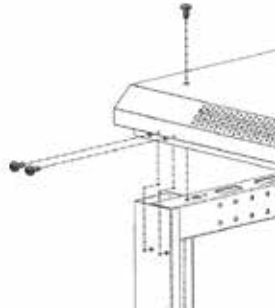
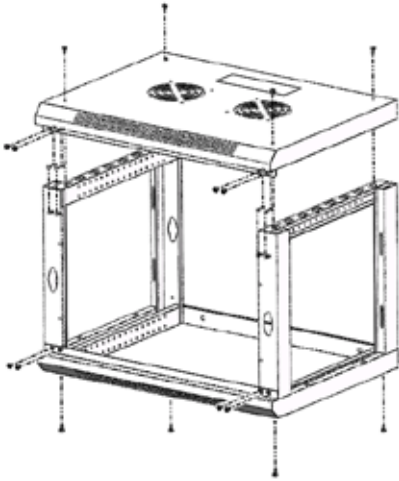
### Assembly parts list



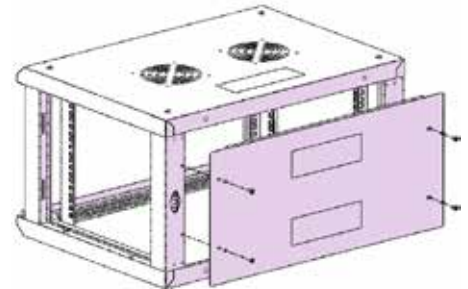
### Exploded-View



▶▶▶▶ Step 1: Fix the frame;

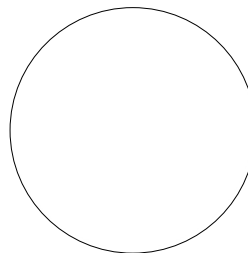
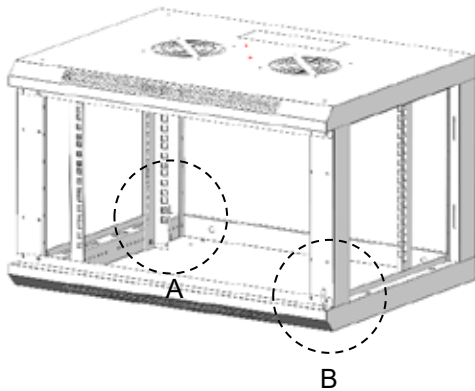


Fix the top cover and bottom with 8pcs screws; Then fasten front frame with 8pcs screws.



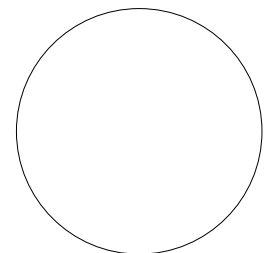
Fix the rear panel with 4pcs screws. 12U/15U/18U cabinet please fix 6pcs screws

▶▶▶▶ Step 2: Fix the mounting profile ;



A Detail

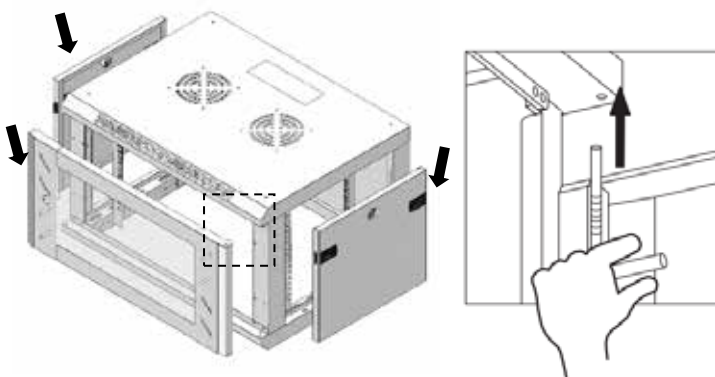
Fix the 4pcs mounting profiles on the frame with 8pcs screws. Please fasten 1 screw on the upper and lower part of every mounting profile.



B Detail

Fix the door pin.

▶▶▶▶ Step 3: Fix the door and panel ;



Fix the lock on front door; Lastly install the side panels.

Casters and feet are optional

